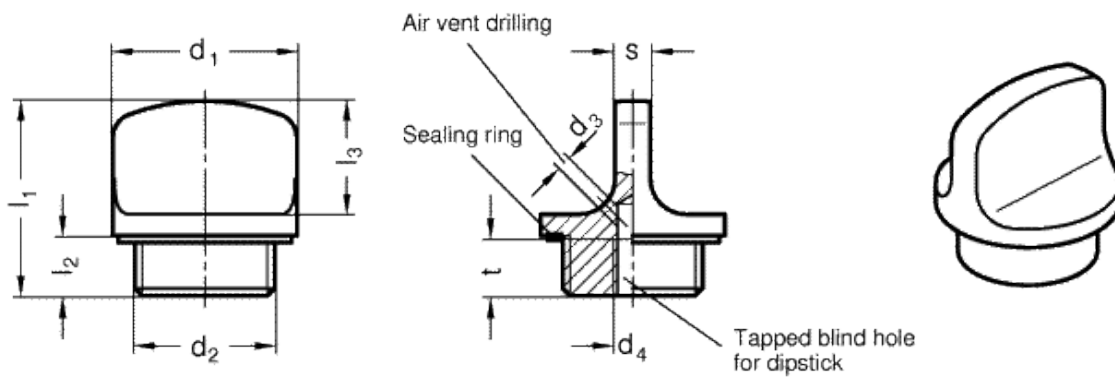


GN 441

Plugs



technical informations

Material

Aluminium.

Finish

- Version SW: RAL 9005 black, matte finish, epoxy resin coating.
- Version BL: blank, tumbled.

Flat packing ring

NBR (Perbunan) synthetic rubber.

Maximum continuous working temperature

100° C.

Standard versions available

- Identification no. 1: without vent drilling.
- Identification no. 2: *with vent drilling.
- * usually not available from stock, requires a minimum order quantity.

Special executions on request (For sufficient quantities)

- Plugs with Ø 2 mm (d2) side breather hole (type 2 with vent drilling).
- Threaded plugs with dipstick.

Features and applications

Threaded plugs GN 441 with the external diameter d_1 match the screw-in holes for DIN 3852 pipe bolt connections.

The sealing ring is embedded in a radial recess on the plane side, which makes the sealing ring captive and cannot be squeezed out during tightening. The sealing is also relatively soft, enhancing the sealing effect also on uneven surfaces.

Standard Elements	Main dimensions										Weight
Description	d_1	d_2	d_3	d_4	$l_1 \pm 0.5$	l_2	l_3	s	$t_{min.}$	g	
GN 441-22-G3/8-1-SW	22	G3/8	-	M5	26	8	15	5	8	12	
GN 441-22-G3/8-1-BL	22	G3/8	-	M5	26	8	15	5	8	12	
GN 441-22-G3/8-2-SW	22	G3/8	2	M5	26	8	15	5	8	12	
GN 441-22-G3/8-2-BL	22	G3/8	2	M5	26	8	15	5	8	12	
GN 441-22-M16x1.5-1-SW	22	M16x1.5	-	M5	26	8	15	5	8	12	
GN 441-22-M16x1.5-1-BL	22	M16x1.5	-	M5	26	8	15	5	8	12	
GN 441-22-M16x1.5-2-SW	22	M16x1.5	2	M5	26	8	15	5	8	12	
GN 441-22-M16x1.5-2-BL	22	M16x1.5	2	M5	26	8	15	5	8	12	
GN 441-26-G1/2-1-SW	26	G1/2	-	M5	27.5	8.5	16	5	8	17	
GN 441-26-G1/2-1-BL	26	G1/2	-	M5	27.5	8.5	16	5	8	17	
GN 441-26-G1/2-2-SW	26	G1/2	2	M5	27.5	8.5	16	5	8	17	
GN 441-26-G1/2-2-BL	26	G1/2	2	M5	27.5	8.5	16	5	8	17	
GN 441-26-M20x1.5-1-SW	26	M20x1.5	-	M5	27.5	8.5	16	5	8	17	
GN 441-26-M20x1.5-1-BL	26	M20x1.5	-	M5	27.5	8.5	16	5	8	17	
GN 441-26-M20x1.5-2-SW	26	M20x1.5	2	M5	27.5	8.5	16	5	8	17	
GN 441-26-M20x1.5-2-BL	26	M20x1.5	2	M5	27.5	8.5	16	5	8	17	
GN 441-32-G3/4-1-SW	32	G3/4	-	M5	29	9	17	6	8	27	
GN 441-32-G3/4-1-BL	32	G3/4	-	M5	29	9	17	6	8	27	
GN 441-32-G3/4-2-SW	32	G3/4	2	M5	29	9	17	6	8	27	
GN 441-32-G3/4-2-BL	32	G3/4	2	M5	29	9	17	6	8	27	
GN 441-32-M26x1.5-1-SW	32	M26x1.5	-	M5	29	9	17	6	8	27	
GN 441-32-M26x1.5-1-BL	32	M26x1.5	-	M5	29	9	17	6	8	27	
GN 441-32-M26x1.5-2-SW	32	M26x1.5	2	M5	29	9	17	6	8	27	
GN 441-32-M26x1.5-2-BL	32	M26x1.5	2	M5	29	9	17	6	8	27	
GN 441-40-G1-1-SW	40	G1	-	M5	32.5	11	18	7	8	48	
GN 441-40-G1-1-BL	40	G1	-	M5	32.5	11	18	7	8	48	
GN 441-40-G1-2-SW	40	G1	2	M5	32.5	11	18	7	8	48	
GN 441-40-G1-2-BL	40	G1	2	M5	32.5	11	18	7	8	48	



STANDARD MACHINE ELEMENTS WORLDWIDE